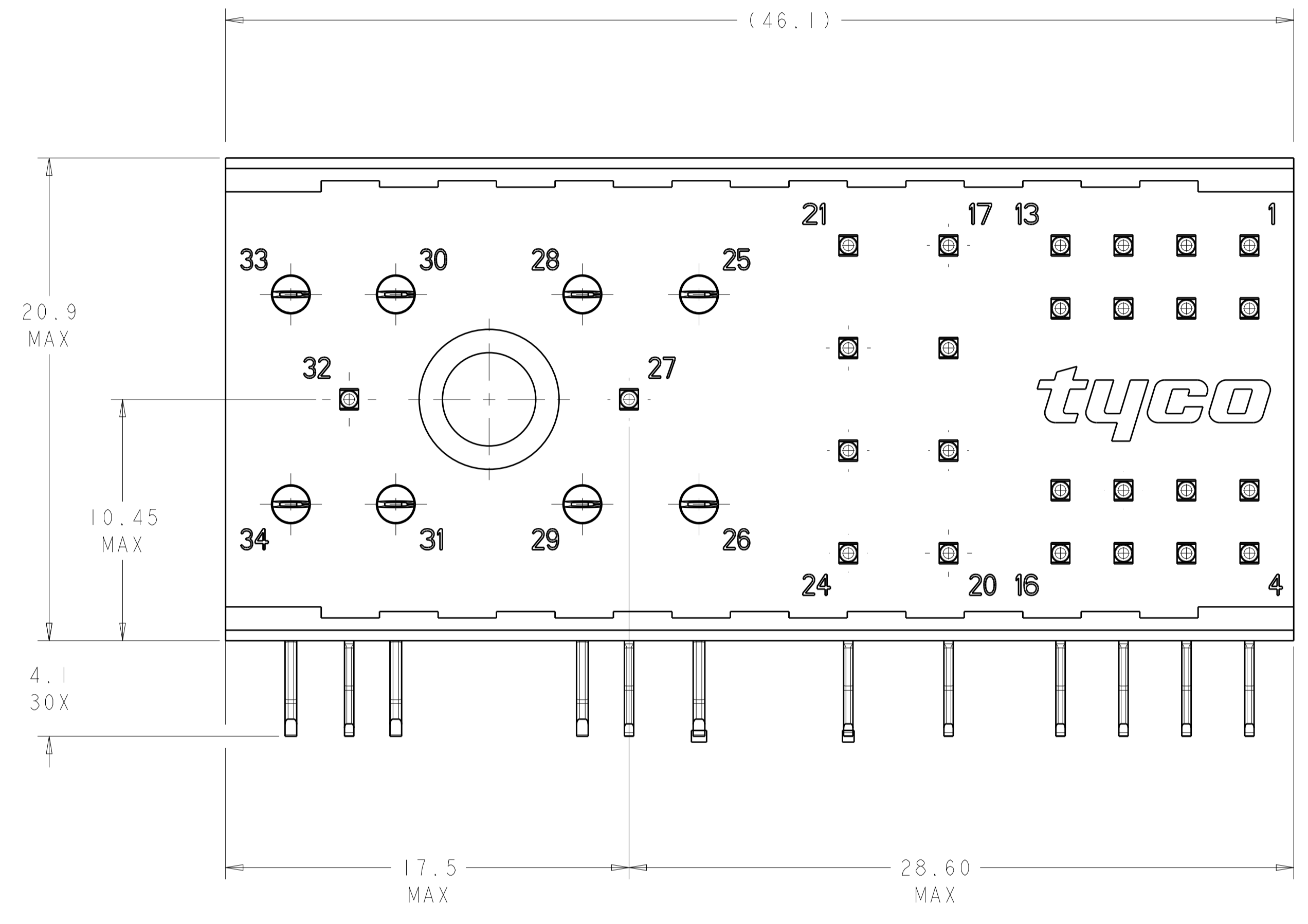
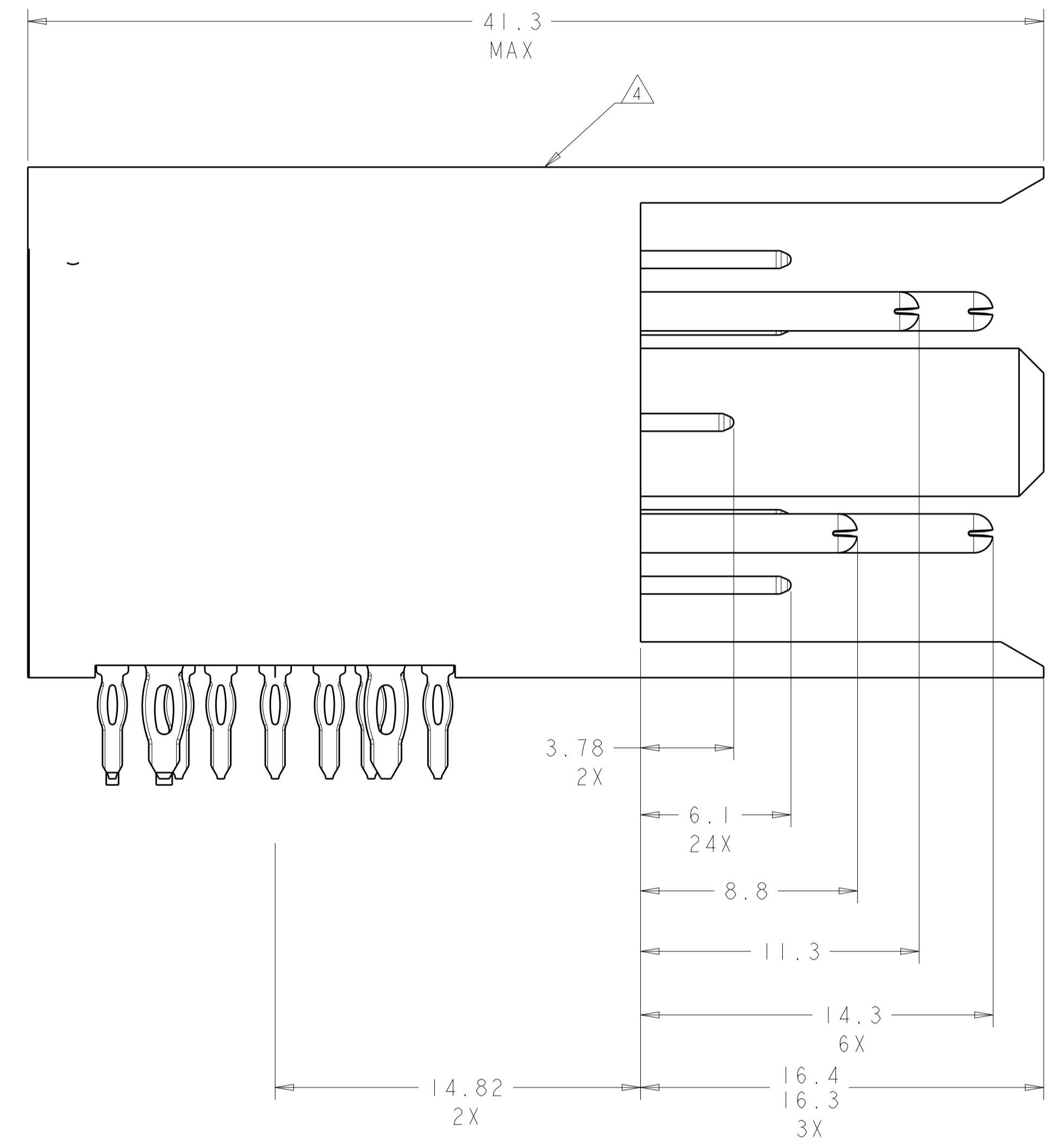


LOC	DIST	REVISIONS			
P	LTN	DESCRIPTION	DATE	DWN	APVD
C		REV PER ECR-12-016995	04NOV2012	OL	SZ



- MATERIALS:**
 HOUSING: HIGH TEMP THERMOPLASTIC, UL94V-0, GRAY.
 SIGNAL CONTACTS: COPPER ALLOY
 POWER CONTACTS: COPPER ALLOY
- CONTACT FINISH:**
 ALL OVER: 0.00127 MIN NICKEL
 COMPLIANT PIN AREA: 0.00127 MIN TIN
 MATING AREA: 0.00076 MIN GOLD
- HOLES INDICATED ARE NOT REQUIRED FOR TYCO PRODUCT**
- TYCO PART NUMBER AND DATE CODE (YYWW) LOCATED ON SURFACE INDICATED.**
- DATUM AND BASIC DIMENSION TO BE ESTABLISHED BY CUSTOMER.**
- CONTACT FINISH:**
 ALL OVER: 0.00127 MIN NICKEL
 COMPLIANT PIN AREA: 0.00127 MIN TIN-LEAD
 MATING AREA: 0.00076 MIN GOLD
- 7. CONTACT AREA LUBRICATED WITH BELLCORE APPROVED LUBRICANT, TECHNICAL REFERENCE: GR-1217-COR, ISSUE 1, NOVEMBER 1995.**

SEQUENCING TABLE	
CONTACT POSN	PIN LENGTH
1-24	6.1
25,26,28-31	14.3
27,32	3.8
33	11.3
34	8.8

OBSELETE		Ø	26	22	1888803-2
	6	Ø 0.762	26	22	1888803-2
		Ø 1.58	8	16	
	2	Ø 0.762	26	22	1888803-1
		Ø 1.58	8	16	

THIS DRAWING IS A CONTROLLED DOCUMENT. DWN: G. PETERS 13DEC2006
 CHK: M. PERCHERKE 13DEC2006
 APVD: S. ELICKINGER 13DEC2006

STE TE Connectivity

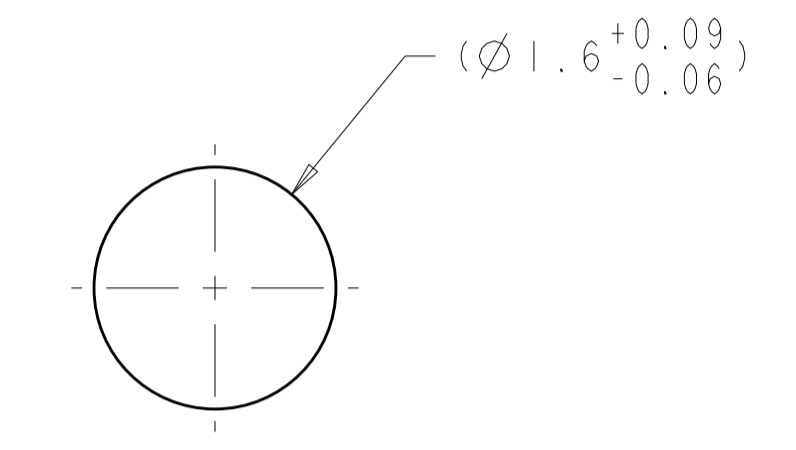
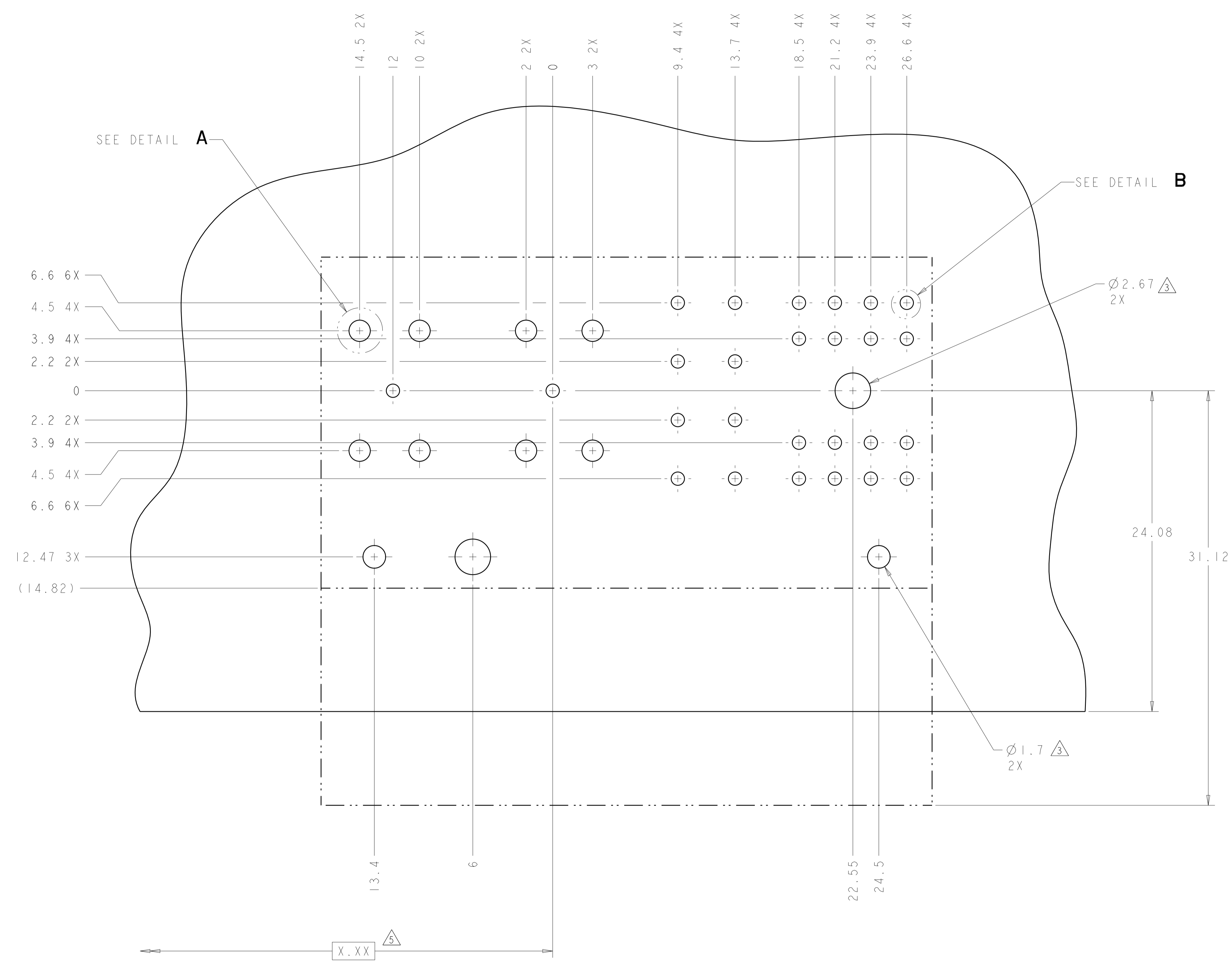
NAME: ASSEMBLY, RT ANGLE, AdvancedTCA

PRODUCT SPEC: 108-2216
 APPLICATION SPEC: 114-13156

SIZE: A1 CAGE CODE: 1888803 DRAWING NO: 100779
 WEIGHT: -

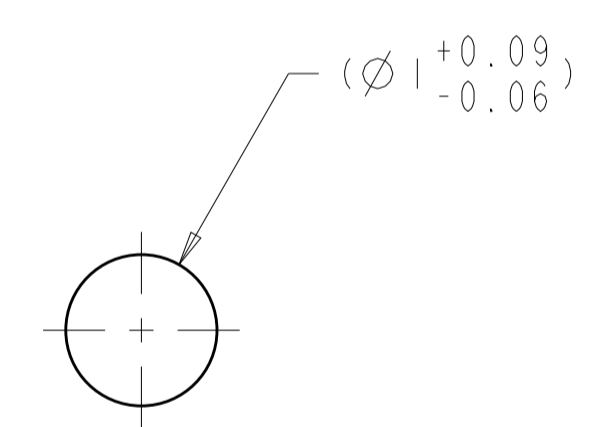
Customer Drawing SCALE: 6:1 SHEET 1 OF 2 REV C

LOC	DIST	REVISIONS					
GP	00	P	LTN	DESCRIPTION	DATE	DWN	APVD
		-		SEE SHEET 1	-	-	-



DETAIL A
 SCALE 20:1
 8X (SIZE 16)

FINISHED HOLE: $\varnothing 1.6^{+0.09}_{-0.06}$
 DRILLED HOLE: $\varnothing 1.75 \pm 0.025$
 COPPER PLATE: 0.025 MIN (PER SURFACE)
 TIN PLATE: 0.008 MIN (PER SURFACE)



DETAIL B
 SCALE 20:1
 26X (SIZE 22)

FINISHED HOLE: $\varnothing 1^{+0.09}_{-0.06}$
 DRILLED HOLE: $\varnothing 1.15 \pm 0.025$
 COPPER PLATE: 0.025 MIN (PER SURFACE)
 TIN PLATE: 0.008 MIN (PER SURFACE)

RECOMMENDED PCB LAYOUT
 VIEWED FROM CONNECTOR SIDE

THIS DRAWING IS A CONTROLLED DOCUMENT.		DWN G. PETERS 13DEC2006	TE Connectivity
DIMENSIONS: mm		CHK M. PERCHERKE 13DEC2006	
TOLERANCES UNLESS OTHERWISE SPECIFIED: 0 PLC ±0.5 1 PLC ±0.13 2 PLC ±0.013 3 PLC ±0.001 4 PLC ±0.0001 ANGLES ±0.0001		APVD S. FLICKINGER 13DEC2006	NAME ASSEMBLY, RT ANGLE, AdvancedTCA
		PRODUCT SPEC 108-2216	RESTRICTED TO
MATERIAL		APPLICATION SPEC 114-13156	SIZE CAGE CODE DRAWING NO. A100779C=1888803
FINISH		WEIGHT	SCALE 6:1 SHEET 2 OF 2 REV C
		Customer Drawing	